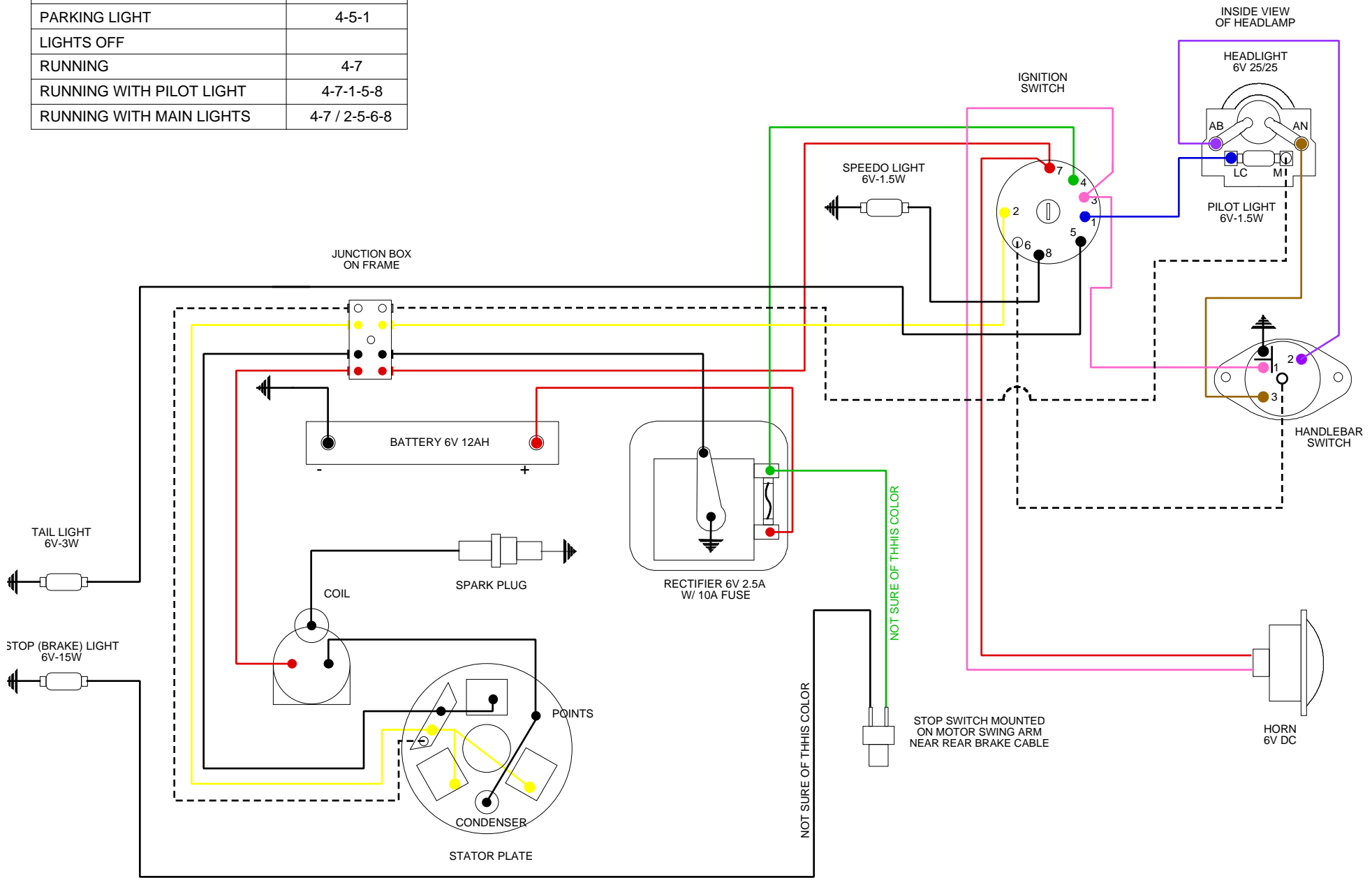


SWITCH POSITIONS	
PARKING LIGHT	4-5-1
LIGHTS OFF	
RUNNING	4-7
RUNNING WITH PILOT LIGHT	4-7-1-5-8
RUNNING WITH MAIN LIGHTS	4-7 / 2-5-6-8



scooterhelp.com

VESPA GS 150(VS2T) with stop light

----- WHITE